



Belvac Production Machinery Technical Bulletin

Information for Customers Operating & Maintaining Belvac Machines

ISSUE 1, VOLUME 20, MAY 2017

Page | 1 of 2

EMC Cartridge Rocker Arm

Belvac's Easy Maintenance Cartridge (EMC) has been widely used throughout the world on the CC93 family of trimmers. This cartridge has a reputation for high performance and longevity that is reflective of Belvac's values. In the spirit of continuous improvement, Belvac would like to announce a rocker arm upgrade kit to further improve the longevity of the EMC cartridge assemblies.



EMC Cartridge, fully assembled

When an EMC trimmer cartridge reaches the point where it must be rebuilt, one of the most common indicators is a failure of the rocker arm spring. By increasing the longevity of the spring, the lifecycle of the trimmer cartridge may be extended.

Belvac has developed a revised spring and mounting arm that will provide extended life for the components. In the revised arrangement the spring mounts on a bushing providing greater lubricity at the connection point than previous designs.

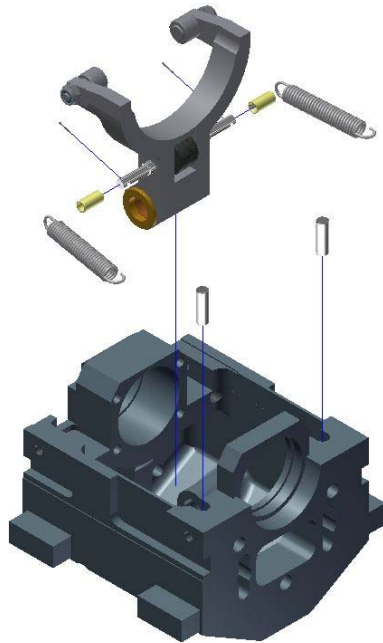


Belvac Production Machinery Technical Bulletin

Information for Customers Operating & Maintaining Belvac Machines

ISSUE 1, VOLUME 20, MAY 2017

Page | 2 of 2



Spring mounting, exploded view



Spring mounting, assembled

To order an upgrade for existing EMC cartridges, specify the following:

EMC Cartridge Rocker Spring Upgrade Kit #9310202

The revised arrangement is standard on all new EMC Trimmer cartridges shipped after February, 2017.