



**Belvac
Production
Machinery, Inc.**

A DOVER[®] COMPANY

Can Former CFT 400

Body Maker/Trimmer Combination Machine



Belvac Can Former CFT400

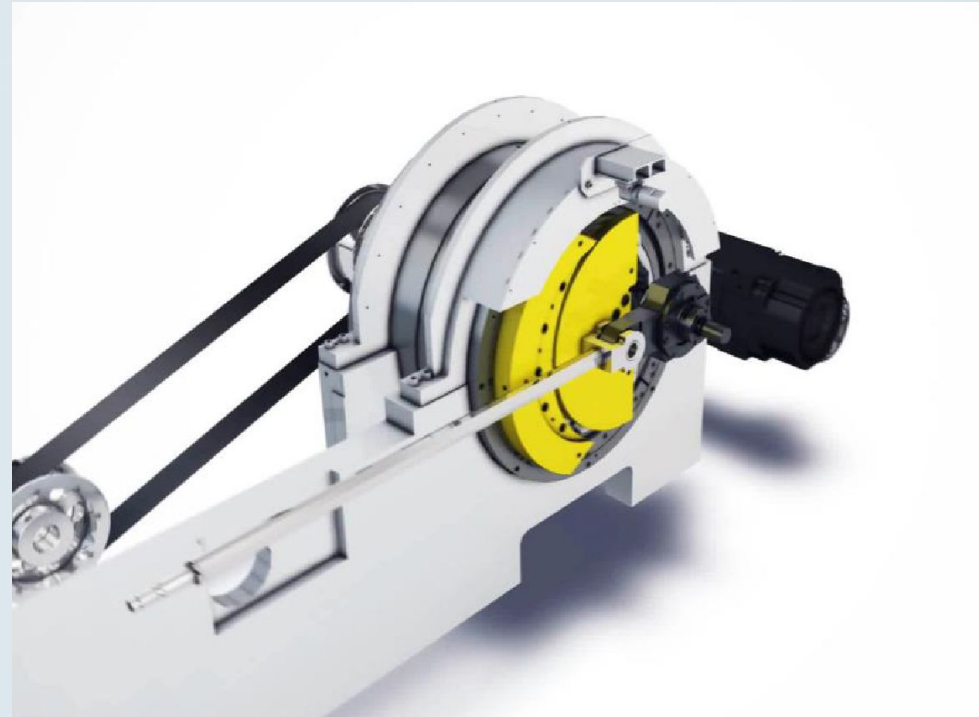




Hypocycloid Transmission Technology

The innovation consists of a mechanism operating under the principle which states that each point in a circle, running in a circle which is 2 times bigger, describes a rectilinear hypocycloid.

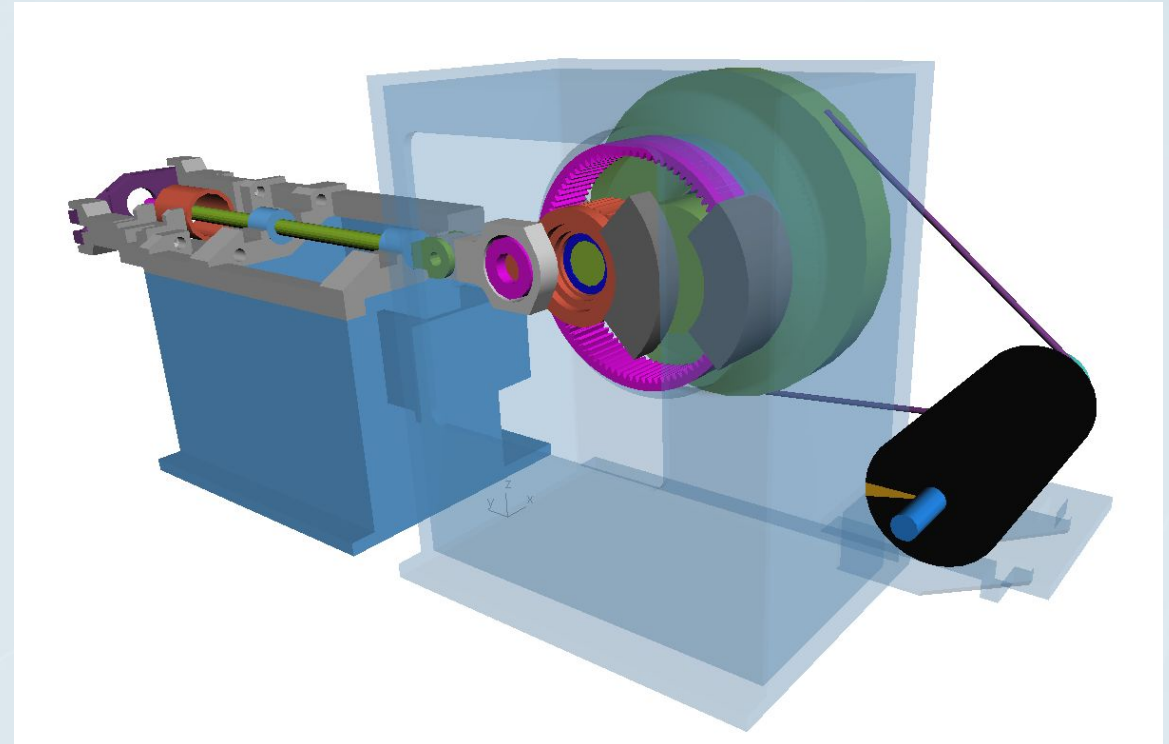
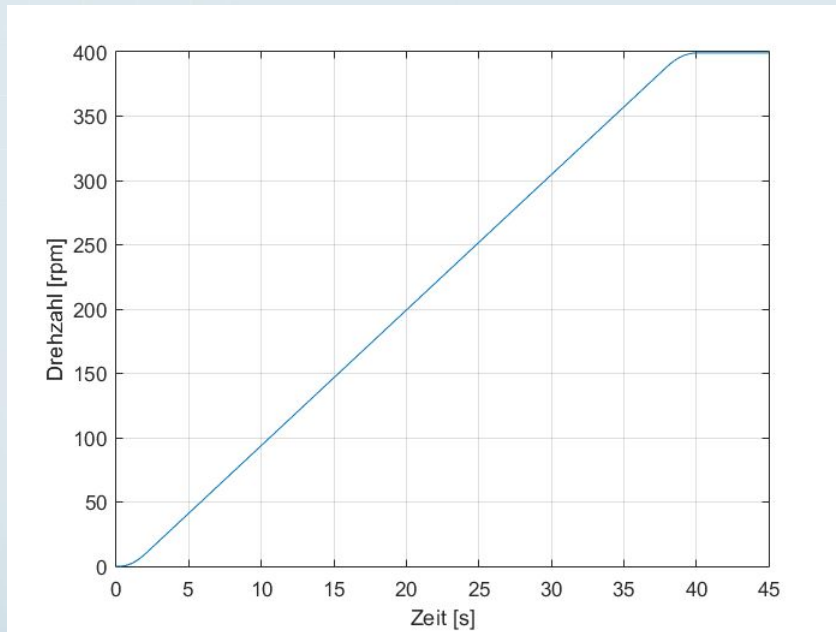
BELVAC	
CAN FORMER CFT400	
Machine speed	400 spm
Max. untrimmed can height	182 mm
Toolpack length	275 mm





Quality – Reliability – Accuracy – Performance

- **Dynamic balance: Less vibration**
- **Linear Transmission: less ram drop**
- **Machine design: Low maintenance costs**





Body Maker Features & Benefits



No need for foundation

Low vibration

Maximum production output

Low level of Tear offs + Superior Machine reliability

High quality level

Precise and accurate body wall thickness

Lower running costs

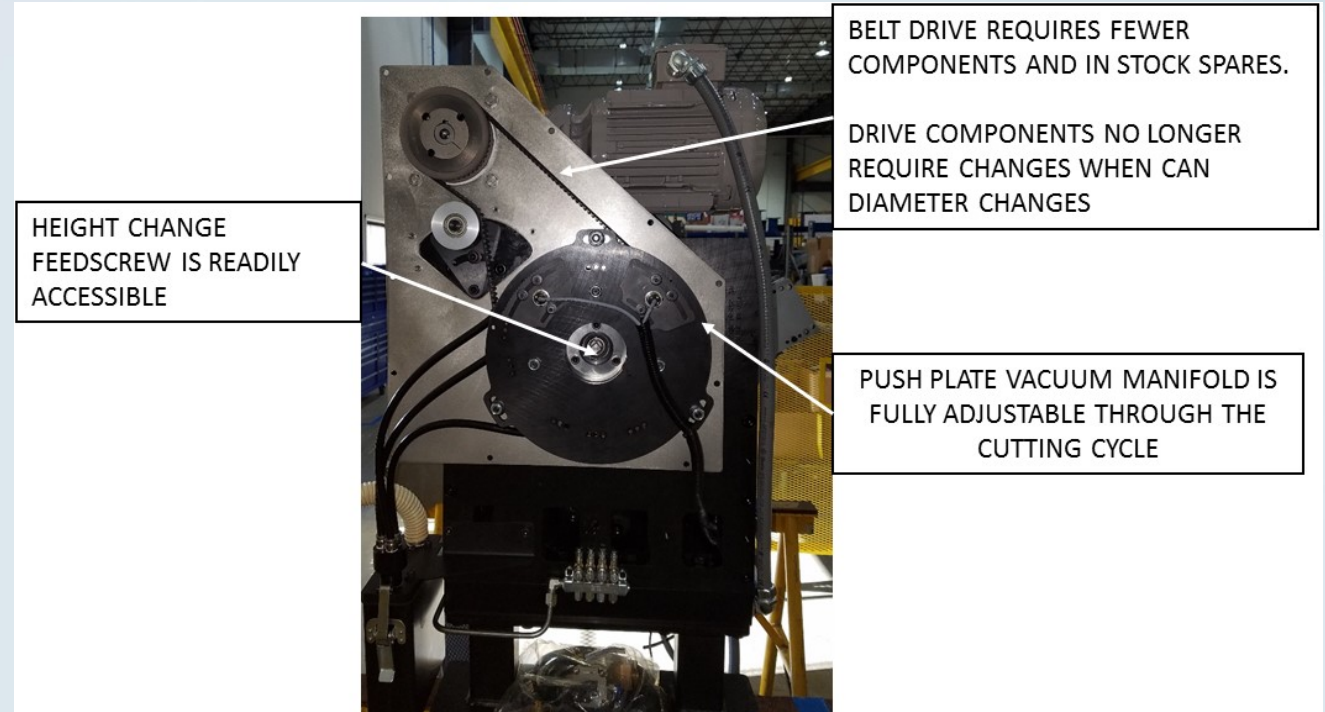
Longer tool life – less oil consumption

Low maintenance costs



Trimmer Features & Upgrades

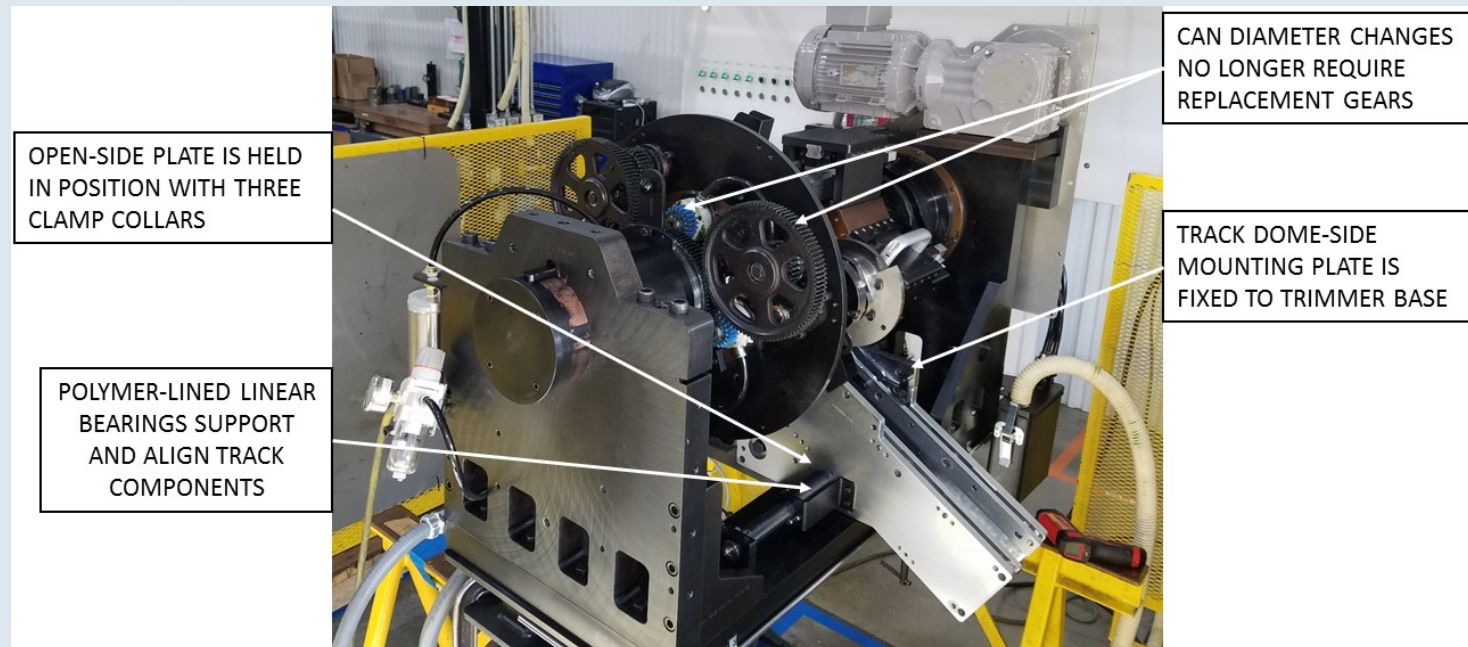
- Dome end of the can is the datum, preferred alignment with bodymakers
- Trimmed can is essentially burr free
- Extended can height range: 3.00" to 10.10" (76.2mm to 256.5mm)
- No dedicated infeed starwheel is required, cans are fed directly to the turret
- Simplified belt drive
- Clutches are no longer required on the knife spindles
- Fully adjustable manifold for push plate vacuum reduces wasted utilities





Reduced Height Changeover Time

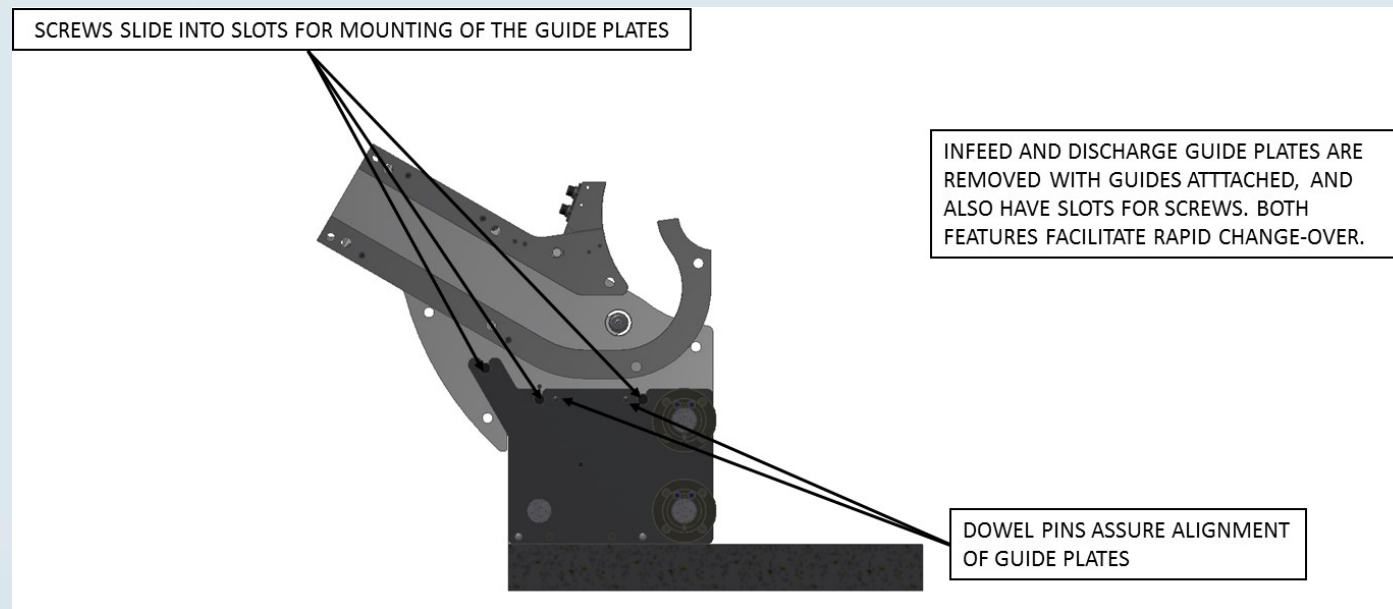
- Simplified height changes, similar to Quick Change Necker systems
 - All (3) trimmer cartridges can be adjusted for a new trim height simultaneously by means of a feed screw
 - Infeed and discharge rails may be slid to new positions without removal
 - Can chucks are not replaced when the chime of the can remains the same





Reduced Diameter Changeover Time

- Diameter changes have been simplified as well
 - No drive change parts are required for a diameter change
 - The same inner spindle assembly is used for all can diameters
 - Spindle gears are not changed when can diameter changes
 - Infeed and discharge assemblies are designed to be lifted off without disassembly and replaced with another track assembly





Belvac
Production
Machinery, Inc.

A  DOVER[®] COMPANY

Can Former CFT 400

Body Maker/Trimmer Combination Machine